

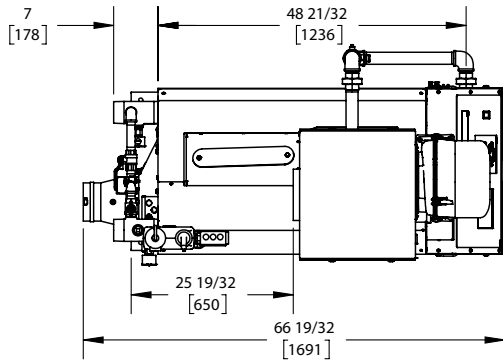
KN-20

Category II or Category IV Appliance
(see Installation and Operation Manual for venting information)

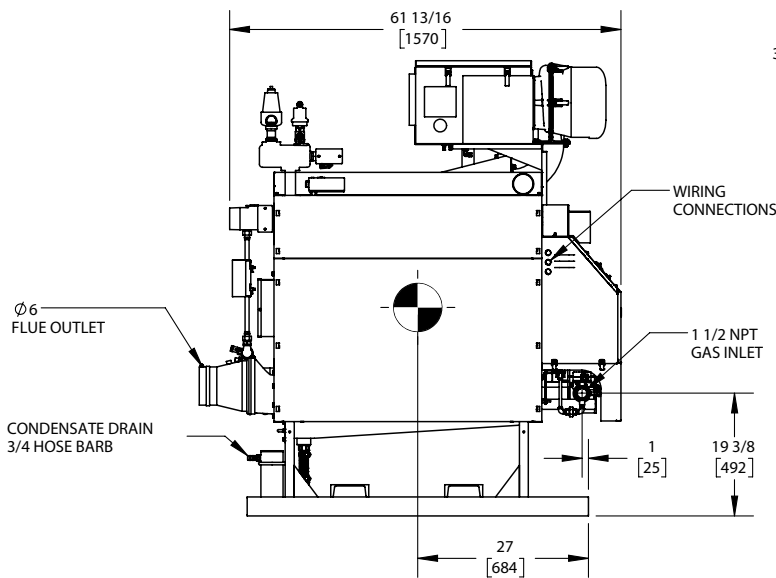
CODE OPTIONS

CSD-1	STANDARD
-------	----------

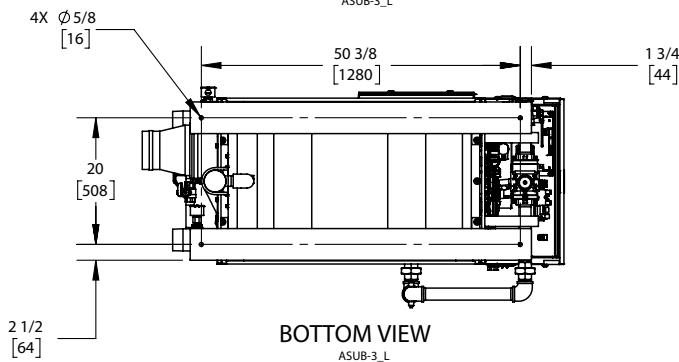
INDOOR UNIT



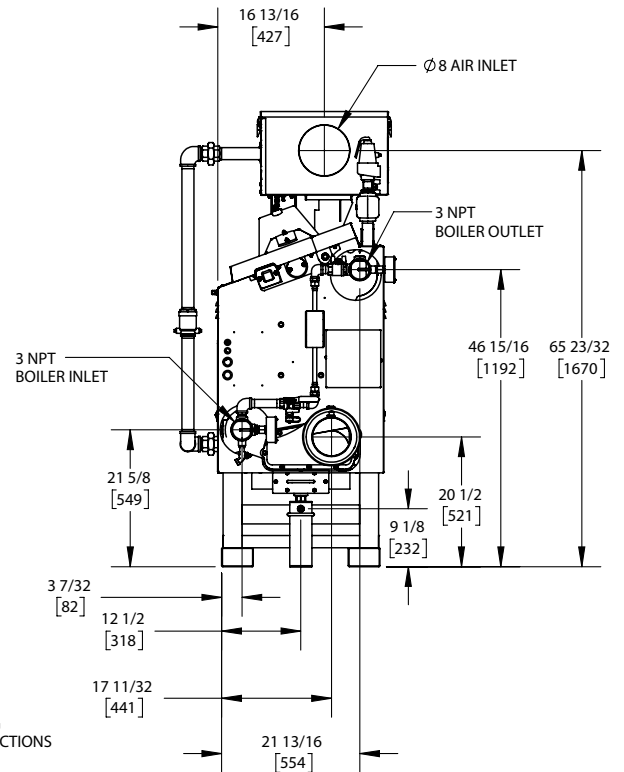
TOP VIEW
ASUB-3_L



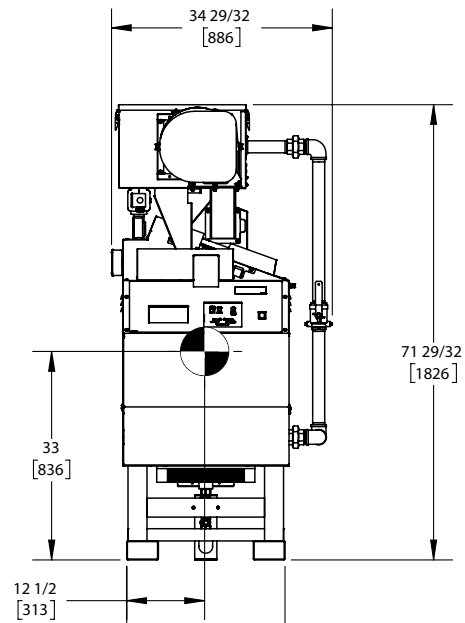
SIDE VIEW
ASUB-3_L



BOTTOM VIEW
ASUB-3_L



REAR VIEW
ASUB-3_L



FRONT VIEW
ASUB-3_L

NOTES:

1. SYMBOL INDICATES CENTER OF GRAVITY.
2. DIMENSIONS ARE NOMINAL AND SUBJECT TO MANUFACTURING VARIATION AND SHOULD NOT BE USED FOR "ROUGHING IN".
3. ALL DIMENSIONS ARE INCHES [mm].



A.G.A. CERTIFIED RATINGS & CAPACITIES

Fuel Type	Natural/LP Gas	Boiler FLA	13.1 A*
Input BTU/hr.	1999 MBH / 586 KW	Min. Gas Pressure Required	3" W.C.
Output BTU/hr.	1799 MBH / 527 KW	Max. Gas Pressure Allowed	14" W.C.
Boiler HP	53.7	Water Volume	21.9 gal.
Electrical Requirements	230VAC/60 hz/1PH (with neutral)	Operating Weight	2714 lbs. / 1232 kg.
SCCR Rating	5kA		

BOILER TRIM & CONTROLS

Main Gas Valve	Dungs MBC	Air Switch	Huba
Firing Valve	1-1/2" Apollo	Flow Sensor	SIKA
Ignition Control	Honeywell RM7895C	Blocked Flue Switch	Cleveland NS2
Operating Control	HeatNet®	Blower Motor	Ametek
High Limit	Honeywell L4006E	L.W.C.O.	800
Main Ball Valve	1-1/2" Apollo	Relief Valve	30, 50, 75 & 100 PSI
Pilot Cock	1/4" Conbraco	Pilot Regulator	Maxitrol RV12LT

A.S.M.E.

ASME Sect IV Fire Side Htg Surface	73.14 Sq. Ft. / 6.80 Sq. M.	Design Data	100 PSI & 250°F
ASME Sect IV Water Side Htg Surface	78.20 Sq. Ft. / 7.26 Sq. M.		
CV. GPM (1PSID)	161		

*Add circulator amps.

TEMPERATURE RISE / PRESSURE DROP (Based on Full Input)

20°F / 11.1°C				40°F / 22.2°C				60°F / 33.3°C				80°F / 44.4°C				100°F / 55.5°C			
Flow Rate		Pressure Drop		Flow Rate		Pressure Drop		Flow Rate		Pressure Drop		Flow Rate		Pressure Drop		Flow Rate		Pressure Drop	
GPM	L/s	Ft	kPa	GPM	L/s	Ft	kPa	GPM	L/s	Ft	kPa	GPM	L/s	Ft	kPa	GPM	L/s	Ft	kPa
180.0	11.40	2.88	8.60	90.0	5.70	.72	2.20	60.0	3.80	.32	1.00	45.0	2.80	.18	.50	36.0	2.30	.12	.30

Flow GPM		Temp. Rise** (°F)		Vent Length (Equiv. Ft.)		Air Inlet Length (Equiv. Ft.)	
Min	Max	Min	Max	Min	Max	Min	Max
36.0	180.0	20	100	6	120	0	120

**Min/Max delta t reflects boiler operation at full input. For applications requiring operation above/below these parameters please consult factory.

REP FIRM	_____
SUBMITTED BY	_____
JOB NAME	_____
ARCHITECT	_____
ENGINEER	_____
CONTRACTOR	_____
DATE	_____

KN-20

Category II or Category IV Appliance
(see Installation and Operation Manual for venting information)



A Division of Mestek, Inc.
Westfield, MA 01085
(413) 564-5515

KN-20

OUTDOOR UNIT

